



interKing

Explosion-proof Warning Light



INTERKING ENTERPRISES LTD.

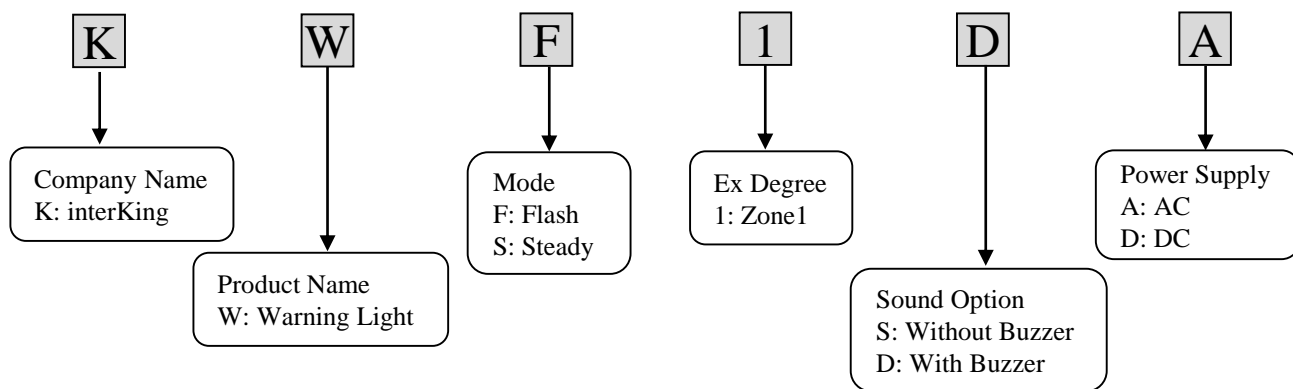
Index



1. Explosion-proof Warning Light

(1) KWF1DA.....	3
(2) KWF1DD.....	5
(3) KWF1SA.....	7
(4) KWF1SD.....	9
(5) KWS1DA.....	11
(6) KWS1DD.....	13
(7) KWS1SA.....	15
(8) KWS1SD.....	17

Product List



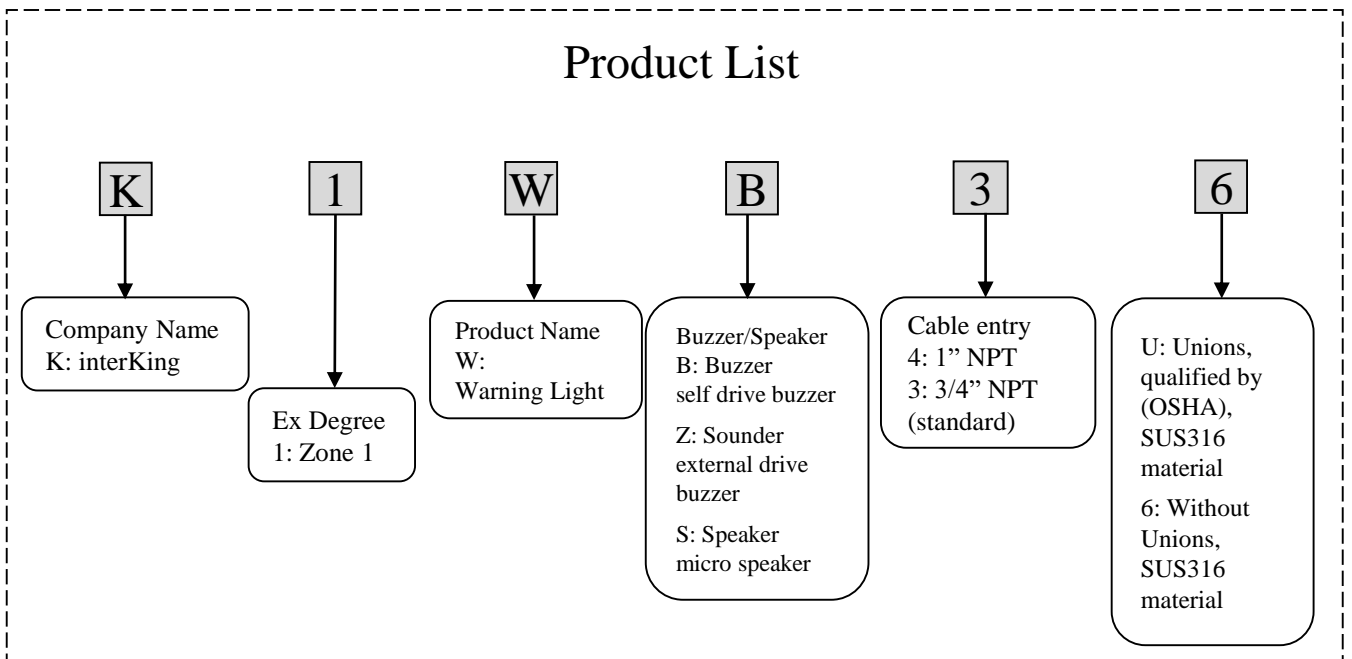
Index



2. Explosion-proof Compact Strobe

(1) K1WB46	19
(2) K1WB36	21
(3) K1WB3U	23
(4) K1WZ46	25
(5) K1WZ36	27
(6) K1WZ3U	29
(7) K1WS46	31
(8) K1WS36	33
(9) K1WS3U	35

Product List



Explosion-proof Warning Light

MODEL

KWF1DA

Characteristics



KWF1DA

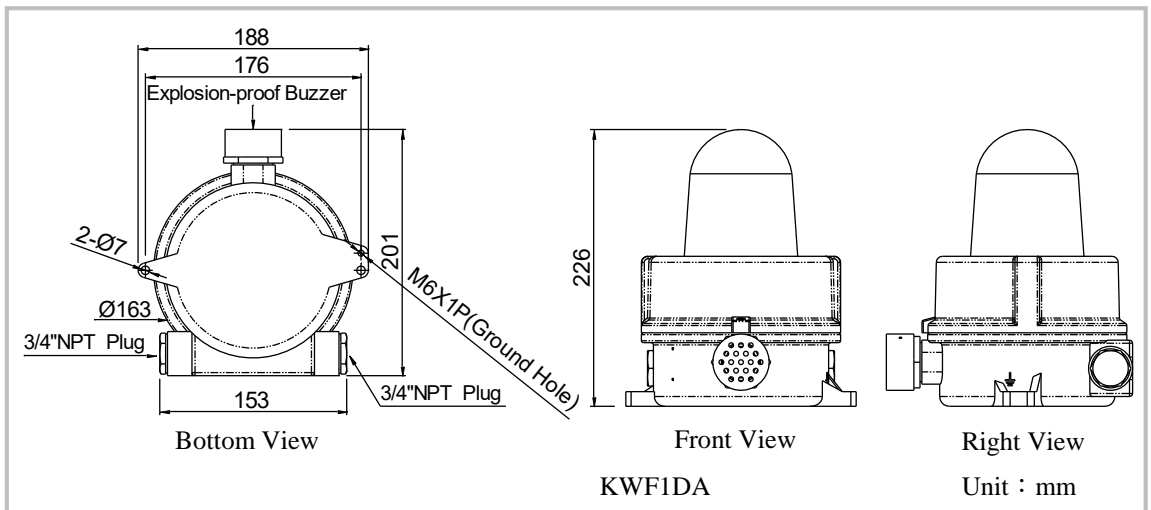
- Aluminum alloy enclosure, powder coated, corrosion-resistant, impact-resistant, IP66 rated
- High intensity LED flashing warning light with DC buzzer
- Adjustable flash rate
- 90 dB continuous buzzer at 10 cm
- 1 digital input and 1 digital output provided for dry contact signals
- Cable entry: 3/4" NPT x 2
- Suitable for Zone 1 and Zone 21 hazardous areas
- CNS certified, Ex d e IIB+H₂ T6 Gb / Ex tb IIIC T85°C Db

MODEL

KWF1DA

Specifications

	Model	KWF1DA
Power	Voltage	110~220 Vac
	Power Consumption	26W
Material	Construction	Aluminum alloy
	Globe	Tempered glass
Environment	Certification	CNS: Ex d e IIB+H ₂ T6 Gb / Ex tb IIIC T85°C Db
	IP Degree	IP66
	Ambient Temperature	-20°C ~ +40°C
Packing	Dimensions	210(L) x 195(W) x 280(H) mm
	Weight	4.4 kg



Explosion-proof Warning Light

MODEL

KWF1DD

Characteristics



KWF1DD

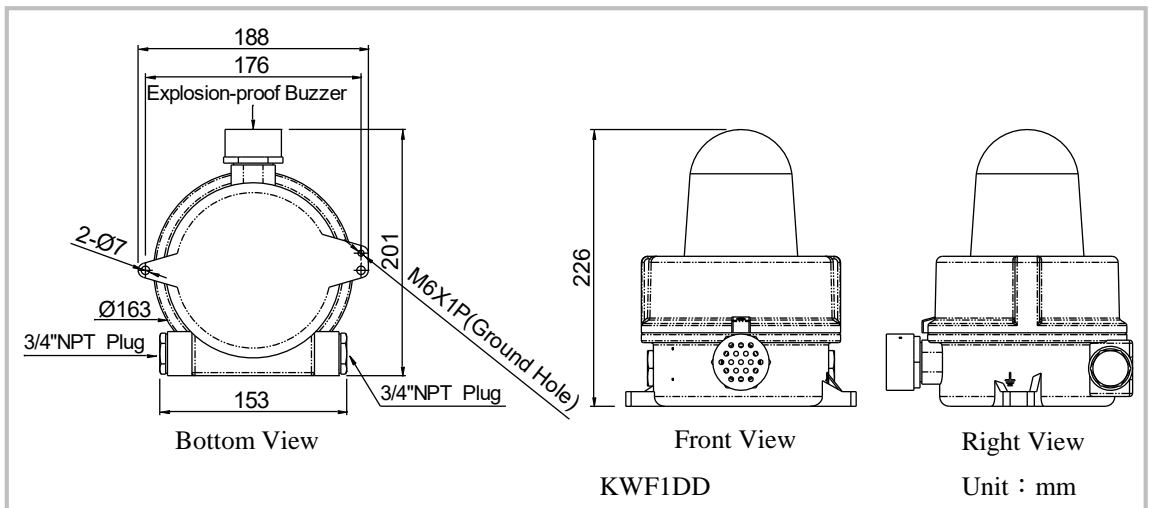
- Aluminum alloy enclosure, powder coated, corrosion-resistant, impact-resistant, IP66 rated
- High intensity LED flashing warning light with DC buzzer
- Adjustable flash rate
- 90 dB continuous buzzer at 10 cm
- 1 digital input and 1 digital output provided for dry contact signals
- Cable entry: 3/4" NPT x 2
- Suitable for Zone 1 and Zone 21 hazardous areas
- CNS certified, Ex d e IIB+H₂ T6 Gb / Ex tb IIIC T85°C Db

MODEL

KWF1DD

Specifications

	Model	KWF1DD
Power	Voltage	24 Vdc
	Power Consumption	8W
Material	Construction	Aluminum alloy
	Globe	Tempered glass
Environment	Certification	CNS: Ex d e IIB+H ₂ T6 Gb / Ex tb IIIC T85°C Db
	IP Degree	IP66
	Ambient Temperature	-20°C ~ +40°C
Packing	Dimensions	210(L) x 195(W) x 280(H) mm
	Weight	4.2 kg



Explosion-proof Warning Light

MODEL

KWF1SA

Characteristics



KWF1SA

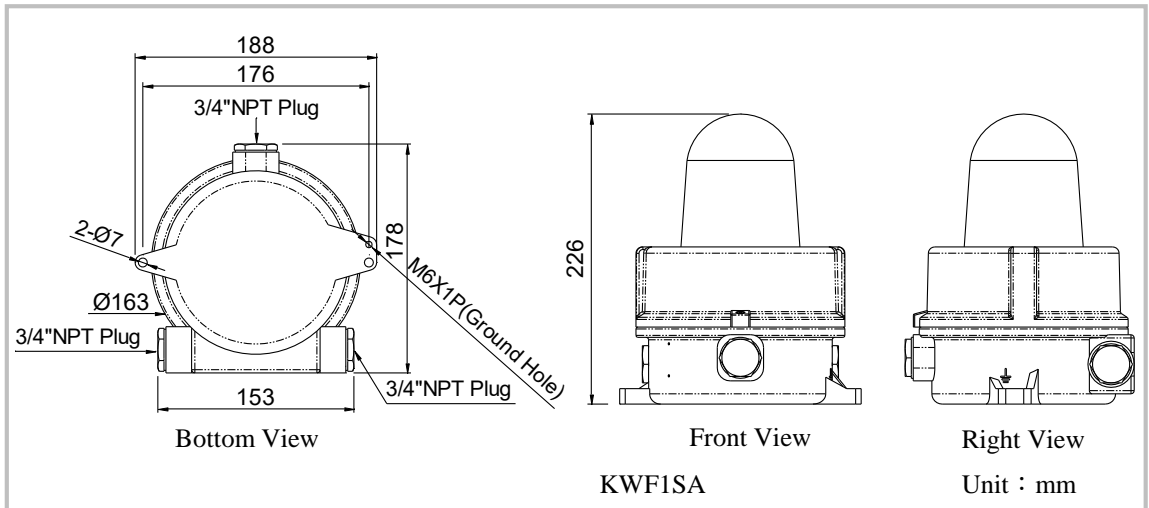
- Aluminum alloy enclosure, powder coated, corrosion-resistant, impact-resistant, IP66 rated
- High intensity LED flashing warning light
- Adjustable flash rate
- 1 digital input and 1 digital output provided for dry contact signals
- Cable entry: 3/4" NPT x 3
- Suitable for Zone 1 and Zone 21 hazardous areas
- CNS certified, Ex d e IIB+H₂ T6 Gb / Ex tb IIIC T85°C Db

MODEL

KWF1SA

Specifications

Model		KWF1SA
Power	Voltage	110~220 Vac
	Power Consumption	25W
Material	Construction	Aluminum alloy
	Globe	Tempered glass
Environment	Certification	CNS: Ex d e IIB+H ₂ T6 Gb / Ex tb IIIC T85°C Db
	IP Degree	IP66
	Ambient Temperature	-20°C ~ +40°C
Packing	Dimensions	210(L) x 195(W) x 280(H) mm
	Weight	4.3 kg



Explosion-proof Warning Light

MODEL

KWF1SD

Characteristics



KWF1SD

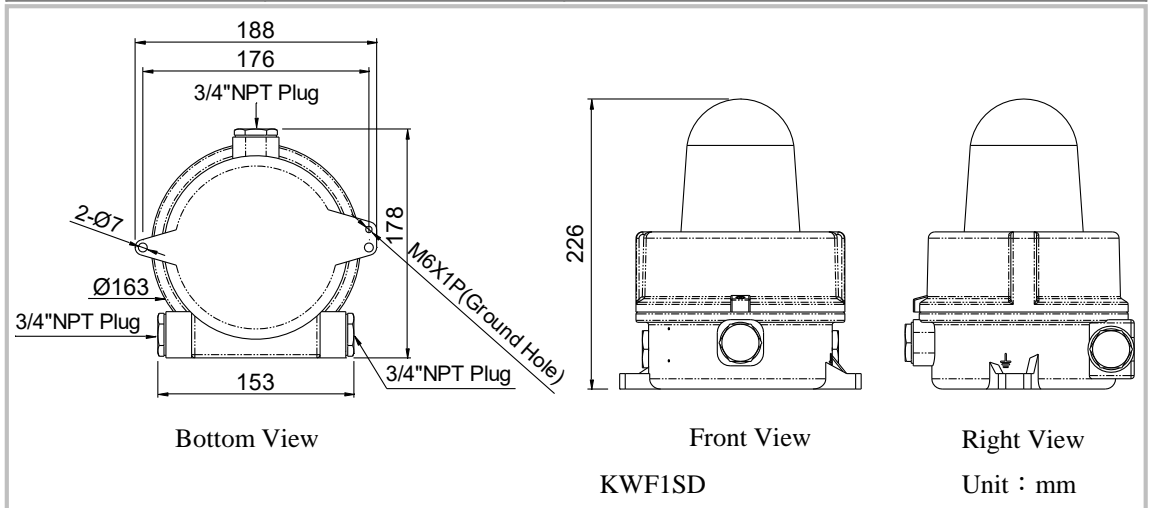
- Aluminum alloy enclosure, powder coated, corrosion-resistant, impact-resistant, IP66 rated
- High intensity LED flashing warning light
- Adjustable flash rate
- 1 digital input and 1 digital output provided for dry contact signals
- Cable entry: 3/4" NPT x 3
- Suitable for Zone 1 and Zone 21 hazardous areas
- CNS certified, Ex d e IIB+H₂ T6 Gb / Ex tb IIIC T85°C Db

MODEL

KWF1SD

Specifications

	Model	KWF1SD
Power	Voltage	24 Vdc
	Power Consumption	7W
Material	Construction	Aluminum alloy
	Globe	Tempered glass
Environment	Certification	CNS: Ex d e IIB+H ₂ T6 Gb / Ex tb IIIC T85°C Db
	IP Degree	IP66
	Ambient Temperature	-20°C ~ +40°C
Packing	Dimensions	210(L) x 195(W) x 280(H) mm
	Weight	4.1 kg



Explosion-proof Warning Light

MODEL

KWS1DA

Characteristics



KWS1DA

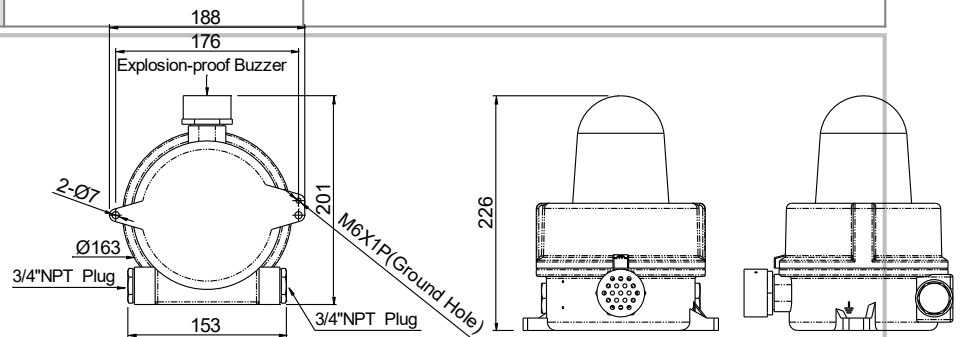
- Aluminum alloy enclosure, powder coated, corrosion-resistant, impact-resistant, IP66 rated
- High intensity LED steady warning light with DC buzzer
- 90 dB continuous buzzer at 10 cm
- 1 digital input and 1 digital output provided for dry contact signals
- Cable entry: 3/4" NPT x 2
- Suitable for Zone 1 and Zone 21 hazardous areas
- CNS certified, Ex d e IIB+H₂ T6 Gb / Ex tb IIIC T85°C Db

MODEL

KWS1DA

Specifications

	Model	KWS1DA
Power	Voltage	110~220 Vac
	Power Consumption	26W
Material	Construction	Aluminum alloy
	Globe	Tempered glass
Environment	Certification	CNS: Ex d e IIB+H ₂ T6 Gb / Ex tb IIIC T85°C Db
	IP Degree	IP66
	Ambient Temperature	-20°C ~ +40°C
Packing	Dimensions	210(L) x 195(W) x 280(H) mm
	Weight	4.4 kg



Bottom View

Front View

Right View

KWS1DA

Unit : mm

Explosion-proof Warning Light

MODEL

KWS1DD

Characteristics



KWS1DD

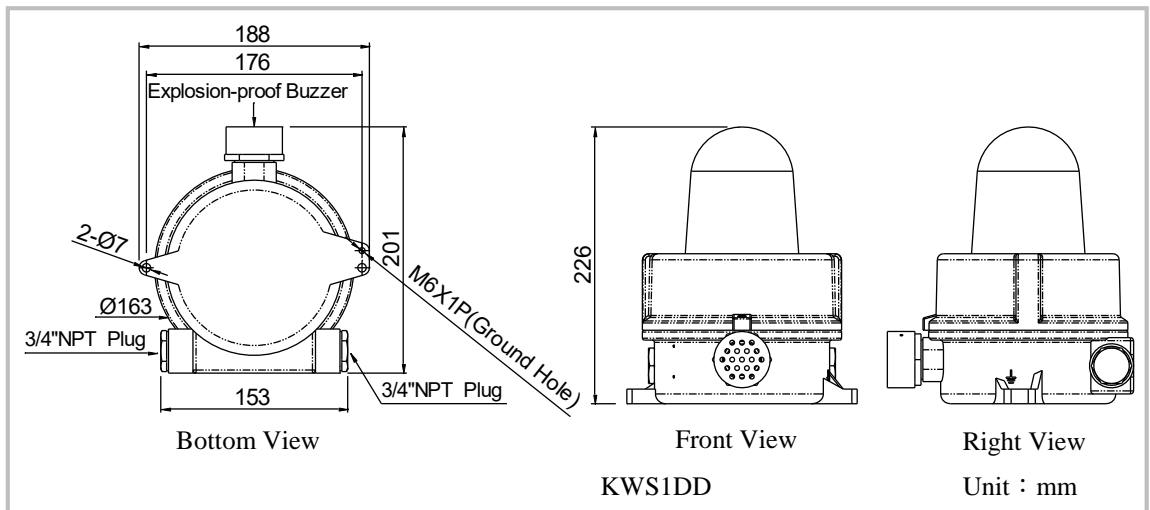
- Aluminum alloy enclosure, powder coated, corrosion-resistant, impact-resistant, IP66 rated
- High intensity LED steady warning light with DC buzzer
- 90 dB continuous buzzer at 10 cm
- 1 digital input and 1 digital output provided for dry contact signals
- Cable entry: 3/4" NPT x 2
- Suitable for Zone 1 and Zone 21 hazardous areas
- CNS certified, Ex d e IIB+H₂ T6 Gb / Ex tb IIIC T85°C Db

MODEL

KWS1DD

Specifications

	Model	KWS1DD
Power	Voltage	24 Vdc
	Power Consumption	8W
Material	Construction	Aluminum alloy
	Globe	Tempered glass
Environment	Certification	CNS: Ex d e IIB+H ₂ T6 Gb / Ex tb IIIC T85°C Db
	IP Degree	IP66
	Ambient Temperature	-20°C ~ +40°C
Packing	Dimensions	210(L) x 195(W) x 280(H) mm
	Weight	4.2 kg



Explosion-proof Warning Light

MODEL

KWS1SA

Characteristics



KWS1SA

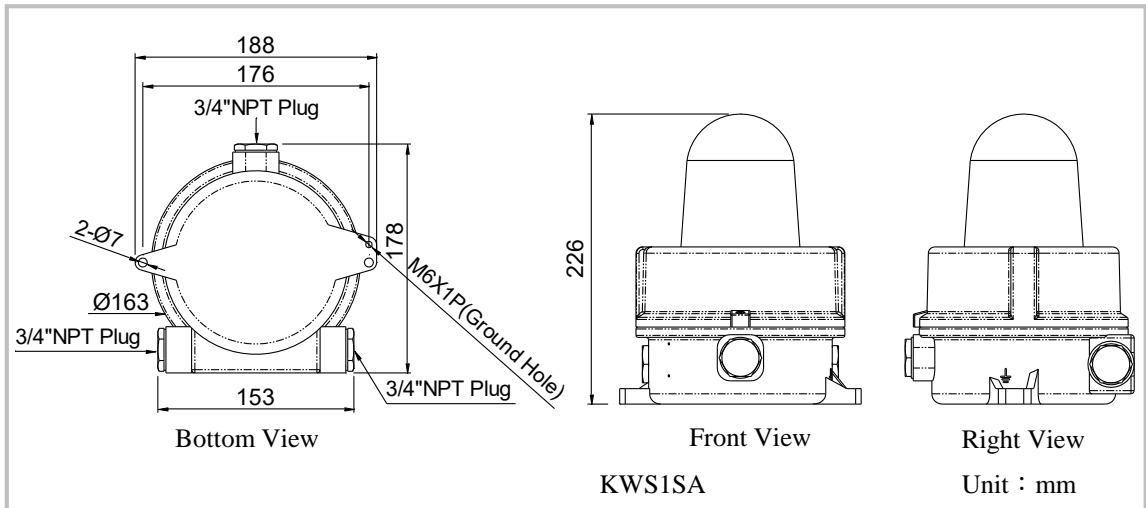
- Aluminum alloy enclosure, powder coated, corrosion-resistant, impact-resistant, IP66 rated
- High intensity LED steady warning light
- 1 digital input and 1 digital output provided for dry contact signals
- Cable entry: 3/4" NPT x 3
- Suitable for Zone 1 and Zone 21 hazardous areas
- CNS certified, Ex d e IIB+H₂ T6 Gb / Ex tb IIIC T85°C Db

MODEL

KWS1SA

Specifications

Model		KWS1SA
Power	Voltage	110~220 Vac
	Power Consumption	25W
Material	Construction	Aluminum alloy
	Globe	Tempered glass
Environment	Certification	CNS: Ex d e IIB+H ₂ T6 Gb / Ex tb IIIC T85°C Db
	IP Degree	IP66
	Ambient Temperature	-20°C ~ +40°C
Packing	Dimensions	210(L) x 195(W) x 280(H) mm
	Weight	4.3 kg



Explosion-proof Warning Light

MODEL

KWS1SD

Characteristics



KWS1SD

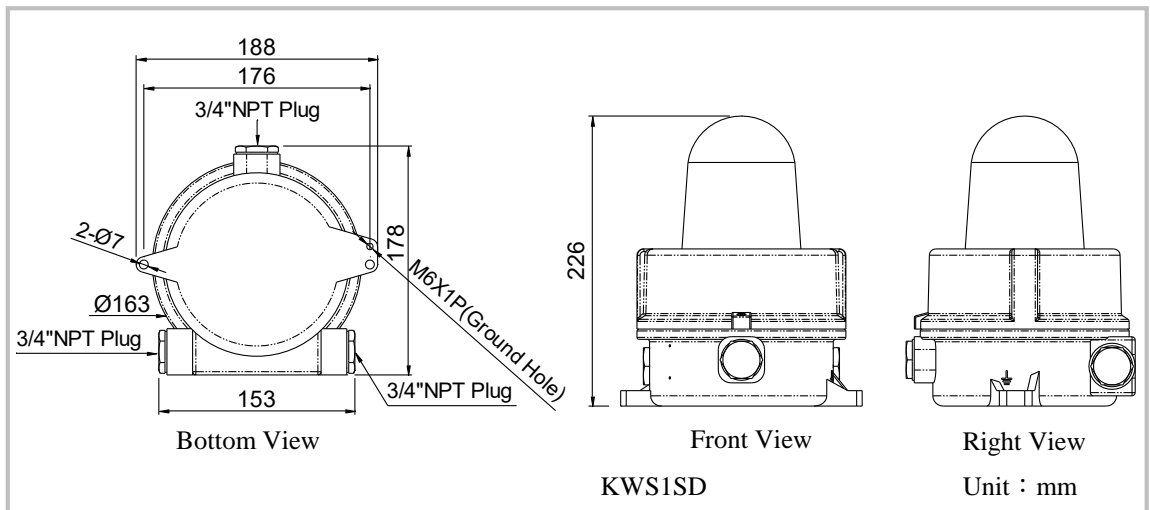
- Aluminum alloy enclosure, powder coated, corrosion-resistant, impact-resistant, IP66 rated
- High intensity LED steady warning light
- 1 digital input and 1 digital output provided for dry contact signals
- Cable entry: 3/4" NPT x 3
- Suitable for Zone 1 and Zone 21 hazardous areas
- CNS certified, Ex d e IIB+H₂ T6 Gb / Ex tb IIIC T85°C Db

MODEL

KWS1SD

Specifications

	Model	KWS1SD
Power	Voltage	24 Vdc
	Power Consumption	7W
Material	Construction	Aluminum alloy
	Globe	Tempered glass
Environment	Certification	CNS: Ex d e IIB+H ₂ T6 Gb / Ex tb IIIC T85°C Db
	IP Degree	IP66
	Ambient Temperature	-20°C ~ +40°C
Packing	Dimensions	210(L) x 195(W) x 280(H) mm
	Weight	4.1 kg



Explosion-proof Compact Strobe (with self drive buzzer)

MODEL K1WB46

Characteristics



K1WB46

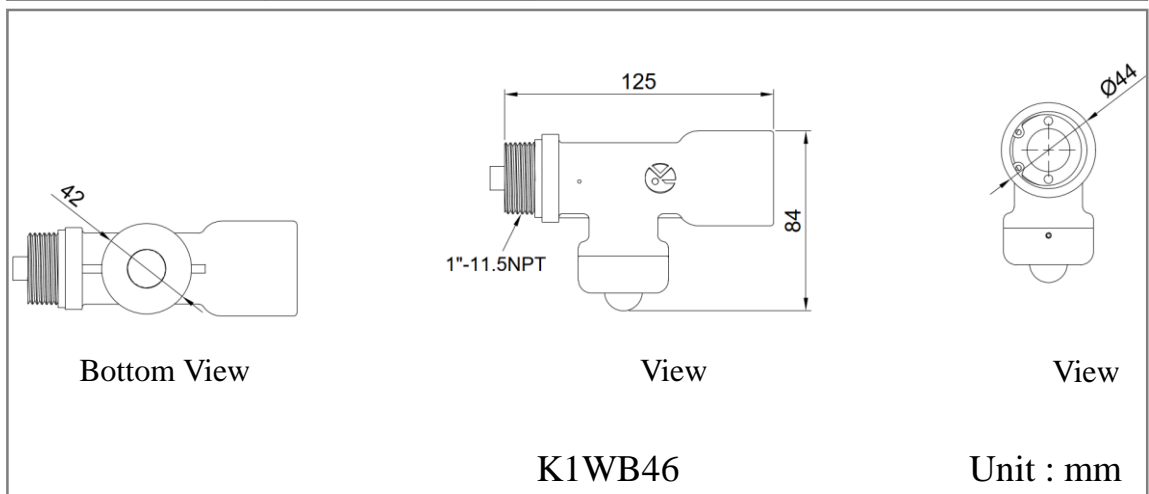
- Integrally formed with SUS316 stainless steel material, corrosion-resistant and impact-resistant
- High intensity and high frequency LED flashing warning light with DC buzzer
- Over than 90 dB continuous self drive buzzer at 30 cm
- LED light : Red
- Voltage 24 Vdc
- Cable entry 4C / 25cm
- Suitable for installation in explosion-proof devices requiring immediate audible and visual alarms, such as gas detectors
- Suitable for Zone 1 and Zone 21; Zone 2 and Zone 22 hazardous area
- CNS certified, Ex db IIC T6 Gb / Ex tb IIIC T85°C IP66 Db
- Standard threaded connection: 1”NPT

MODEL

K1WB46

Specifications

Model		K1WB46
Power	Power Consumption	1W
Self Drive Buzzer	Rated Power Input	0.5W
	Voltage	24 Vdc
	Tone/Pulse Rate	Slow Pulse 1.2±20% at Rated Voltage
	Frequency Range	3.5 KHz ± 0.5
LED	Voltage	24 Vdc
Material	Construction	SUS316 stainless steel
Environment	Certification	Ex db IIC T6 Gb / Ex tb IIIC T85°C IP66 Db
	IP Degree	IP66
	Ambient Temperature	-20°C ~+65°C
Packing	Dimensions	160(L) x 110(W) x 55(H)mm
	Weight	1.1kg



Explosion-proof Compact Strobe (With self drive buzzer)

MODEL K1WB36

Characteristics



K1WB36

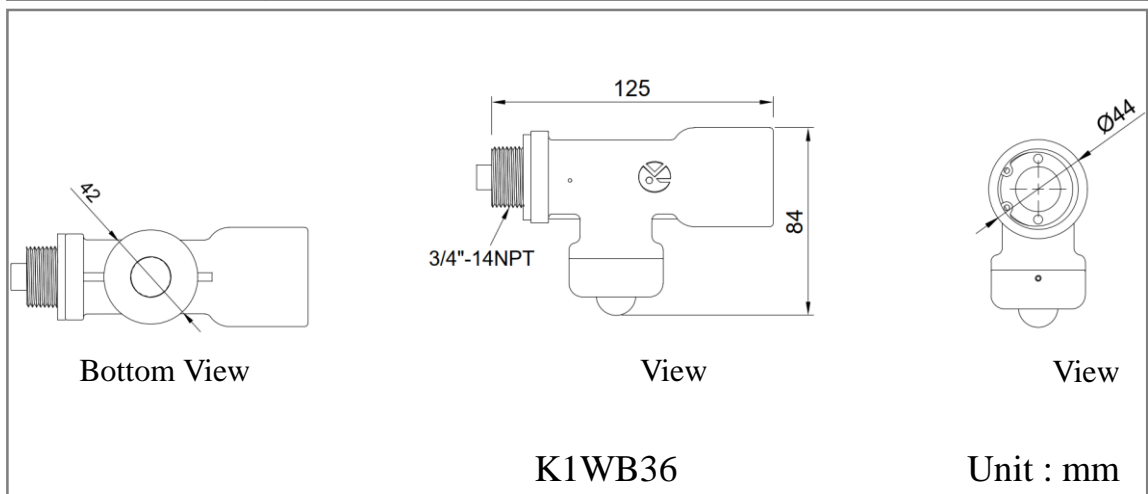
- Integrally formed with SUS316 stainless steel material, corrosion-resistant and impact-resistant
- High intensity and high frequency LED flashing warning light with DC buzzer
- Over than 90 dB continuous self drive buzzer at 30 cm
- LED light : Red
- Voltage 24 Vdc
- Cable entry 4C / 25cm
- Suitable for installation in explosion-proof devices requiring immediate audible and visual alarms, such as gas detectors
- Suitable for Zone 1 and Zone 21; Zone 2 and Zone 22 hazardous area
- CNS certified, Ex db IIC T6 Gb / Ex tb IIIC T85°C IP66 Db
- Standard threaded connection : 3/4"NPT

MODEL

K1WB36

Specifications

Model		K1WB36
Power	Power Consumption	1W
Self Drive Buzzer	Rated Power Input	0.5W
	Voltage	24 Vdc
	Tone/Pulse Rate	Slow Pulse 1.2±20% at Rated Voltage
	Frequency Range	3.5 KHz ± 0.5
LED	Voltage	24 Vdc
Material	Construction	SUS316 stainless steel
Environment	Certification	Ex db IIC T6 Gb / Ex tb IIIC T85°C IP66 Db
	IP Degree	IP66
	Ambient Temperature	-20°C ~+65°C
Packing	Dimensions	160(L) x 110(W) x 55(H)mm
	Weight	1.1kg



K1WB36
Explosion-proof Compact Strobe

Explosion-proof Compact Strobe
(With self drive buzzer and union adaptor)

MODEL
K1WB3U

Characteristics



K1WB3U

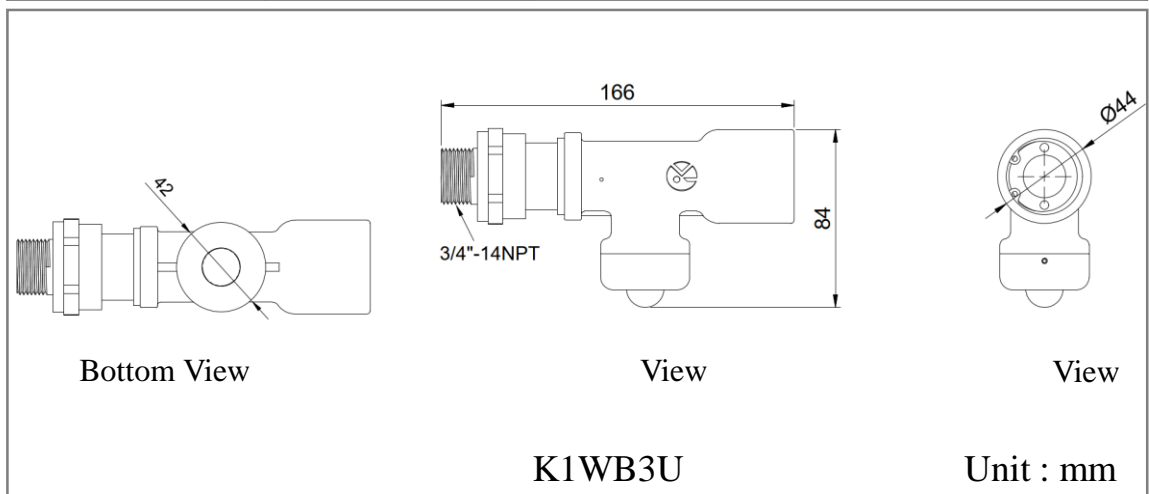
- Integrally formed with SUS316 stainless steel material, corrosion-resistant and impact-resistant
- High intensity and high frequency LED flashing warning light with DC buzzer
- Over than 90 dB continuous self drive buzzer at 30 cm
- LED light : Red
- Voltage 24 Vdc
- Cable entry 4C / 25cm
- Suitable for installation in explosion-proof devices requiring immediate audible and visual alarms, such as gas detectors
- Suitable for Zone 1 and Zone 21; Zone 2 and Zone 22 hazardous area
- CNS certified, Ex db IIC T6 Gb / Ex tb IIIC T85°C IP66 Db
- Standard threaded connection : 3/4"NPT
- Include explosion-proof stainless steel union adaptor that qualified by Occupational Safety and Health Administration, ministry of labor (OSHA)

MODEL

K1WB3U

Specifications

Model		K1WB3U
Power	Power Consumption	1W
Self Drive Buzzer	Rated Power Input	0.5W
	Voltage	24 Vdc
	Tone/Pulse Rate	Slow Pulse 1.2±20% at Rated Voltage
	Frequency Range	3.5 K Hz
LED	Voltage	24 Vdc
Material	Construction	SUS316 stainless steel
Environment	Certification	Ex db IIC T6 Gb / Ex tb IIIC T85°C IP66 Db
	IP Degree	IP66
	Ambient Temperature	-20°C ~+65°C
Packing	Dimensions	190(L) x 110(W) x 55(H)mm
	Weight	1.5kg



Explosion-proof Compact Strobe (with external drive buzzer)

MODEL K1WZ46

Characteristics



K1WZ46

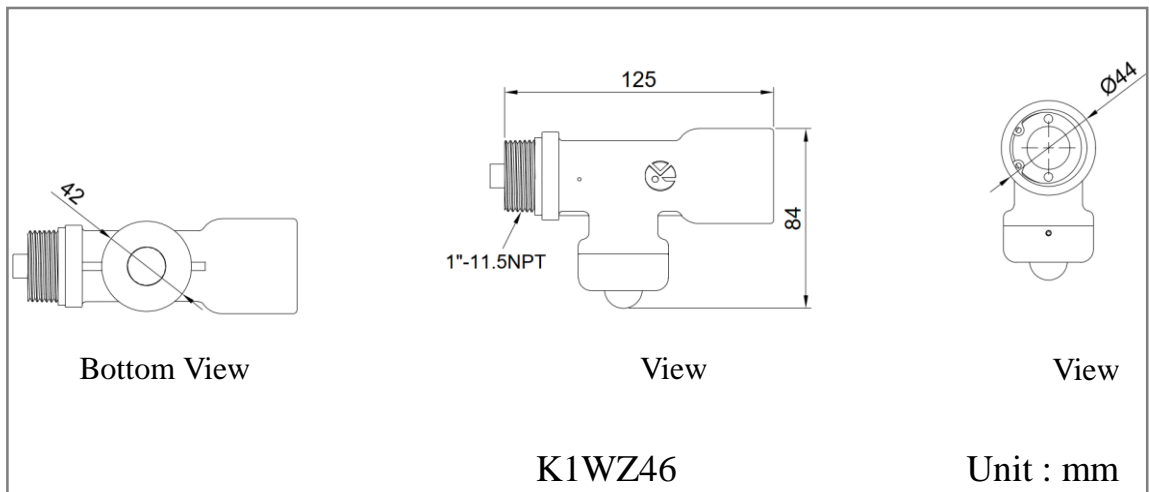
- Integrally formed with SUS316 stainless steel material, corrosion-resistant and impact-resistant
- High intensity and high frequency LED flashing warning light with DC buzzer
- Over than 90 dB continuous self drive buzzer at 30 cm
- LED light : Red
- Voltage 5 Vdc
- Cable entry 4C / 25cm
- Compatible with analog phone systems for synchronized sound and light alerts
- Suitable for Zone 1 and Zone 21; Zone 2 and Zone 22 hazardous area
- CNS certified, Ex db IIC T6 Gb / Ex tb IIIC T85°C IP66 Db
- Standard threaded connection : 1”NPT

MODEL

K1WZ46

Specifications

Model		K1WZ46
Power	Power Consumption	1W
External Drive Buzzer	Rated Power Input	0.5W
	Voltage	5V p-p
	Capacitance	36,000 ±30% at 120Hz
	Frequency Range	2.6±0.5 K Hz
LED	Voltage	5 Vdc
Material	Construction	SUS316 stainless steel
Environment	Certification	Ex db IIC T6 Gb / Ex tb IIIC T85°C IP66 Db
	IP Degree	IP66
	Ambient Temperature	-20°C ~+65°C
Packing	Dimensions	160(L) x 110(W) x 55(H)mm
	Weight	1.1kg



Explosion-proof Compact Strobe (with external drive buzzer)

MODEL
K1WZ36

Characteristics



K1WZ36

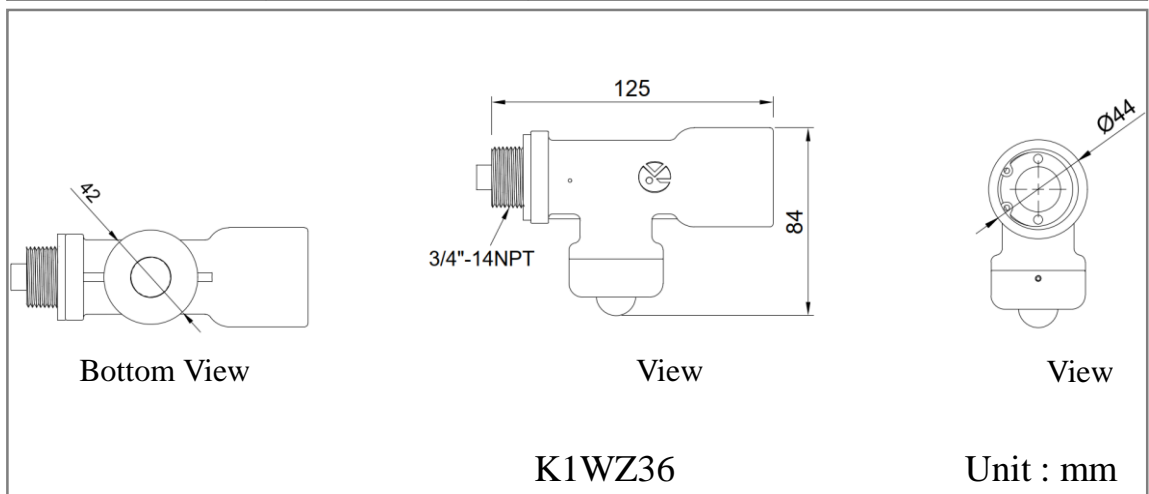
- Integrally formed with SUS316 stainless steel material, corrosion-resistant and impact-resistant
- High intensity and high frequency LED flashing warning light with DC buzzer
- Over than 85 dB continuous self drive buzzer at 10 cm
- LED light : Red
- Voltage 5 Vdc
- Cable entry 4C / 25cm
- Compatible with analog phone systems for synchronized sound and light alerts
- Suitable for Zone 1 and Zone 21; Zone 2 and Zone 22 hazardous area
- CNS certified, Ex db IIC T6 Gb / Ex tb IIIC T85°C IP66 Db
- Standard threaded connection: 3/4"NPT

MODEL

K1WZ36

Specifications

Model		K1WZ36
Power	Power Consumption	1W
Micro Speaker	Rated Power Input	0.5W
	Voltage	5V p-p
	Capacitance	36,000 \pm 30% at 120Hz
	Frequency Range	2.6 \pm 0.5 K Hz
LED	Voltage	5 Vdc
Material	Construction	SUS316 stainless steel
Environment	Certification	Ex db IIC T6 Gb / Ex tb IIIC T85°C IP66 Db
	IP Degree	IP66
	Ambient Temperature	-20°C ~+65°C
Packing	Dimensions	160(L) x 110(W) x 55(H)mm
	Weight	1.1kg



K1WZ36
Explosion-proof Compact Strobe

Explosion-proof Compact Strobe
(with external drive buzzer and union adaptor)

MODEL
K1WZ3U

Characteristics



K1WZ3U

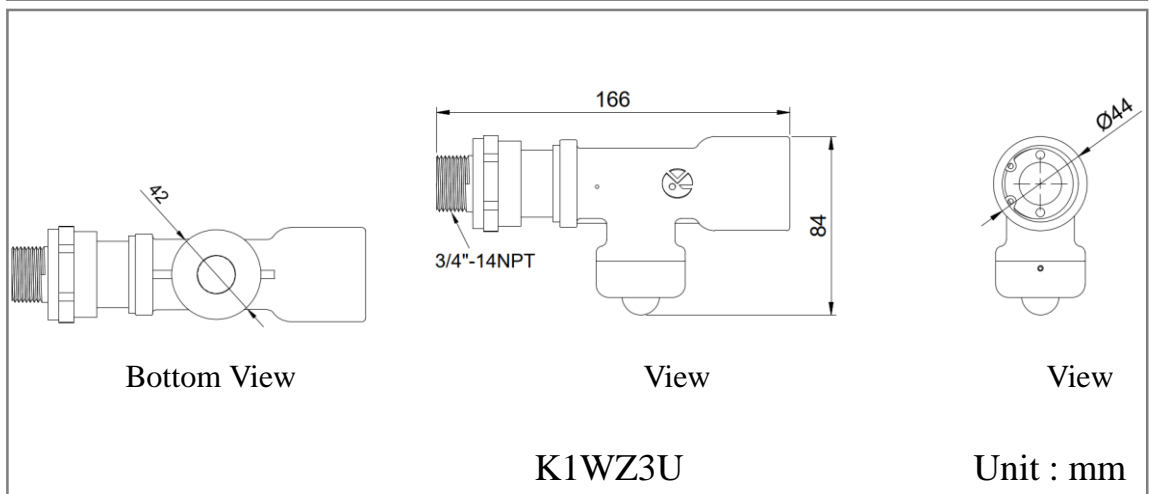
- Integrally formed with SUS316 stainless steel material, corrosion-resistant and impact-resistant
- High intensity and high frequency LED flashing warning light with DC buzzer
- Over than 85 dB continuous self drive buzzer at 10 cm
- LED light : Red
- Voltage 5 Vdc
- Cable entry 4C / 25cm
- Compatible with analog phone systems for synchronized sound and light alerts
- Suitable for Zone 1 and Zone 21; Zone 2 and Zone 22 hazardous area
- CNS certified, Ex db IIC T6 Gb / Ex tb IIIC T85°C IP66 Db
- Standard threaded connection : 3/4"NPT
- Include explosion-proof stainless steel union adaptor that qualified by Occupational Safety and Health Administration, ministry of labor (OSHA)

MODEL

K1WZ3U

Specifications

Model		K1WZ3U
Power	Power Consumption	1W
Micro Speaker	Rated Power Input	0.5W
	Voltage	5V p-p
	Capacitance	36,000 ±30% at 120Hz
	Frequency Range	2.6±0.5 K Hz
LED	Voltage	5 Vdc
Material	Construction	SUS316 stainless steel
Environment	Certification	Ex db IIC T6 Gb / Ex tb IIIC T85°C IP66 Db
	IP Degree	IP66
	Ambient Temperature	-20°C ~+65°C
Packing	Dimensions	190(L) x 110(W) x 55(H)mm
	Weight	1.5kg



Explosion-proof Compact Strobe (with micro speaker)

MODEL
K1WS46

Characteristics



K1WS46

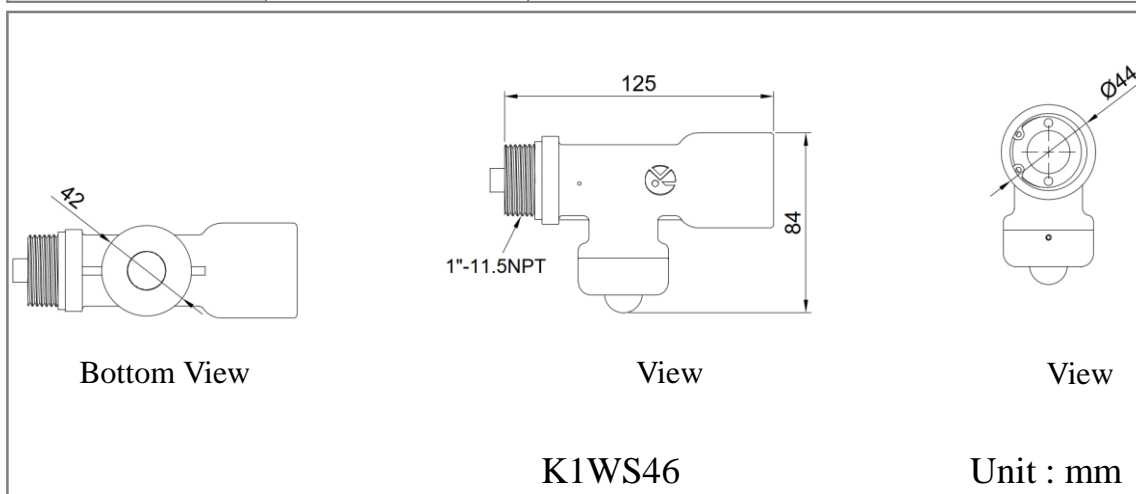
- Integrally formed with SUS316 stainless steel material, corrosion-resistant and impact-resistant
- High intensity and high frequency LED flashing warning light
- Over than than 90 dB with 8Ω micro speaker at 10 cm
- LED light : Red
- Voltage 24 Vdc
- Cable entry 4C / 25cm
- Compatible with Monitor Speaker systems for synchronized sound and light alerts
- Suitable for Zone 1 and Zone 21; Zone 2 and Zone 22 hazardous area
- CNS certified, Ex db IIC T6 Gb / Ex tb IIIC T85°C IP66 Db
- Standard threaded connection : 1”NPT

MODEL

K1WS46

Specifications

Model		K1WS46
Power	Power Consumption	2W
Micro Speaker	Rated Power Input	1.5W
	Voltage	1V
	Impedance	8Ω ± 15% at 2K Hz 1V
	Frequency Range	500-20 K Hz
LED	Voltage	24 Vdc
Material	Construction	SUS316 stainless steel
Environment	Certification	Ex db IIC T6 Gb / Ex tb IIIC T85°C IP66 Db
	IP Degree	IP66
	Ambient Temperature	-20°C ~+65°C
Packing	Dimensions	160(L) x 110(W) x 55(H)mm
	Weight	1.1kg



Explosion-proof Compact Strobe (with micro speaker)

MODEL
K1WS36

Characteristics



K1WS36

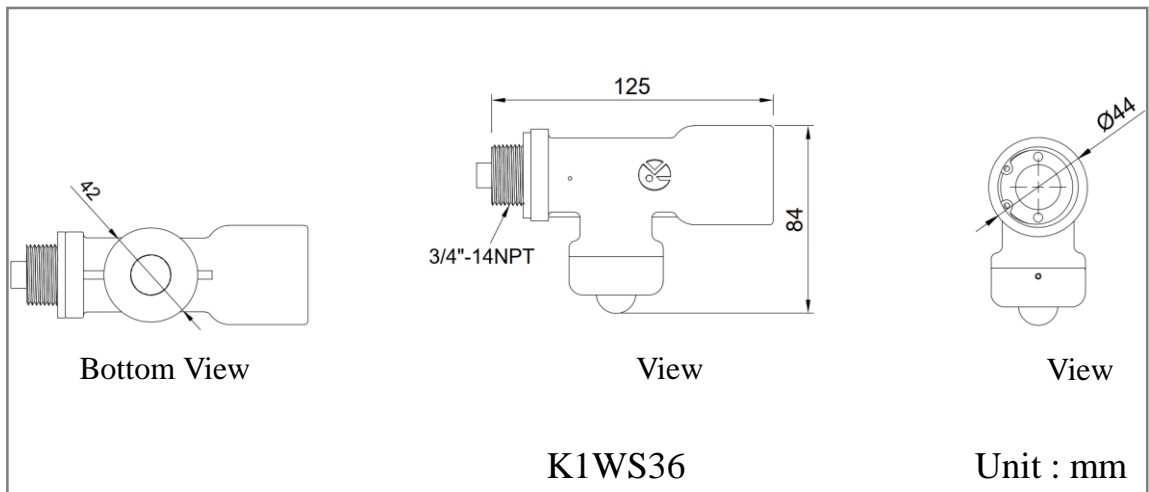
- Integrally formed with SUS316 stainless steel material, corrosion-resistant and impact-resistant
- High intensity and high frequency LED flashing warning light
- Over than 90 dB with 8Ω micro speaker at 10 cm
- LED light : Red
- Voltage 24 Vdc
- Cable entry 4C / 25cm
- Compatible with Monitor Speaker systems for synchronized sound and light alerts
- Suitable for Zone 1 and Zone 21; Zone 2 and Zone 22 hazardous area
- CNS certified, Ex db IIC T6 Gb / Ex tb IIIC T85°C IP66 Db
- Standard threaded connection : 3/4"NPT

MODEL

K1WS36

Specifications

Model		K1WS46
Power	Power Consumption	2W
Micro Speaker	Rated Power Input	1.5W
	Voltage	1V
	Impedance	8Ω ± 15% at 2K Hz 1V
	Frequency Range	500-20 K Hz
LED	Voltage	24 Vdc
Material	Construction	SUS316 stainless steel
Environment	Certification	Ex db IIC T6 Gb / Ex tb IIIC T85°C IP66 Db
	IP Degree	IP66
	Ambient Temperature	-20°C ~+65°C
Packing	Dimensions	160(L) x 110(W) x 55(H)mm
	Weight	1.1kg



Explosion-proof Compact Strobe
(with micro speaker and union adaptor)

MODEL
K1WS3U

Characteristics



K1WS3U

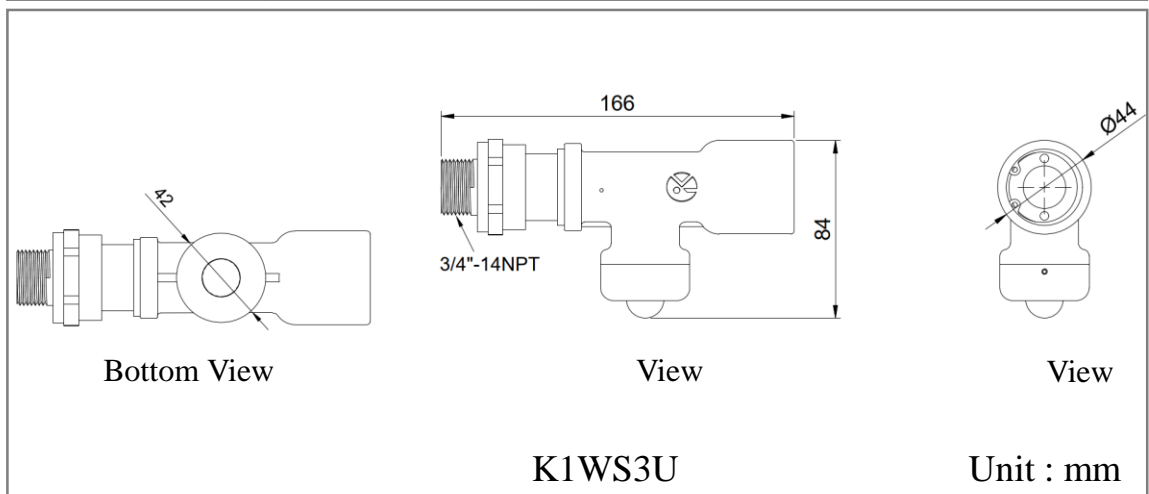
- Integrally formed with SUS316 stainless steel material, corrosion-resistant and impact-resistant
- High intensity and high frequency LED flashing warning light
- Over than 90 dB with 8Ω micro speaker at 10 cm
- LED light : Red
- Voltage 24 Vdc
- Cable entry 4C / 25cm
- Compatible with Monitor Speaker systems for synchronized sound and light alerts
- Suitable for Zone 1 and Zone 21; Zone 2 and Zone 22 hazardous area
- CNS certified, Ex db IIC T6 Gb / Ex tb IIIC T85°C IP66 Db
- Standard threaded connection : 3/4"NPT
- Include explosion-proof stainless steel union adaptor that qualified by Occupational Safety and Health Administration, ministry of labor (OSHA)

MODEL

K1WS3U

Specifications

Model		K1WS3U
Power	Power Consumption	2W
Micro Speaker	Rated Power Input	1.5W
	Voltage	1V
	Impedance	8Ω ± 15% at 2K Hz 1V
	Frequency Range	500-20 K Hz
LED	Voltage	24 Vdc
Material	Construction	SUS316 stainless steel
Environment	Certification	Ex db IIC T6 Gb / Ex tb IIIC T85°C IP66 Db
	IP Degree	IP66
	Ambient Temperature	-20°C ~+65°C
Packing	Dimensions	190(L) x 110(W) x 55(H)mm
	Weight	1.5kg





®



mail

InterKing



INTERKING ENTERPRISES LTD.

Production base

No.50, Minquan St., Daliao Dist., Kaohsiung City 831115, Taiwan

TEL: +886-7-7337500

FAX: +886-7-7337506

E-mail: sales@interking.com.tw

Website: <http://www.interking.com.tw>

INTERKING ENTERPRISES LTD.